

## Product Card

Conduit cover for 20mm pipe



# Conduit cover

Conduit cover for 20mm pipe

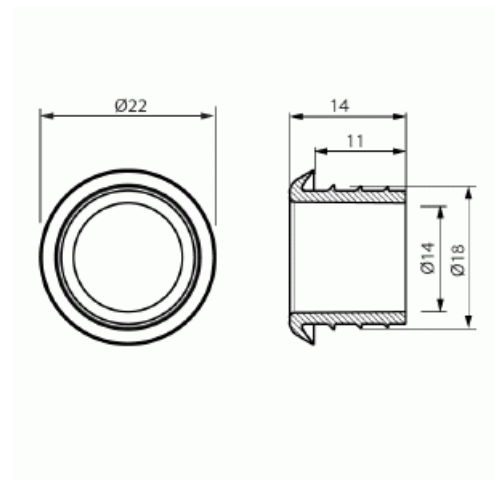
**Type:** AT139

**Product ID:** 2TKA170022G1

**GTIN:** 6418677300646



Conduit cover for 20mm pipe. Made of halogen free material (IEC/61249-2-21).



## Technical specification

### Packing

Package:	100/1000
Unit:	PCS

### ETIM Data

Material quality:	Polyvinyl chloride (PVC)
For nominal tube diameter:	20 mm
Air tight:	No
Colour:	White