

Inlet

Inlet 20 mm

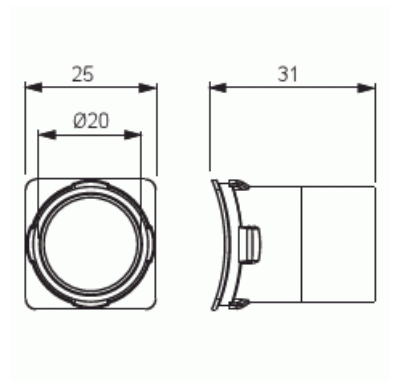
Type: AN9.20

Product ID: 2TKA160028G1

GTIN: 6410011527351



Mounting box AUS15.2 can be fitted with inlet AN9.20 (Ø 20, straight).
Made of halogen free material (IEC/61249-2-21).



Technical specification

Packing

Package:	100/500
Unit:	PCS

ETIM Data

Type of accessory/spare part:	Other
Accessory:	Yes
Spare part:	No
Suitable for built-in installation box:	Yes
Suitable for central conduit box:	No