

Inlet M25

Inlet, Ø 25 mm

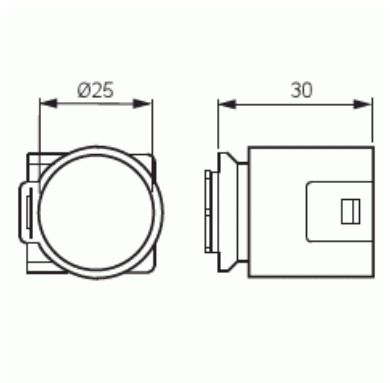
Type: AN25

Product ID: 2TKA160027G1

GTIN: 6410011527252



Inlet AN25 is equipped with locking device which prevents conduit disconnection. The conduit can be unfastened by twisting it. The inlet can be used both in mounting boxes and in junction boxes. Made of halogen free material (IEC/61249-2-21).



Technical specification

Packing

Package:	100/500
Unit:	PCS

ETIM Data

Type of accessory/spare part:	Other
Accessory:	Yes
Spare part:	No
Suitable for built-in installation box:	Yes
Suitable for central conduit box:	No