

Angle inlet

Angle inlet, Ø 20 mm

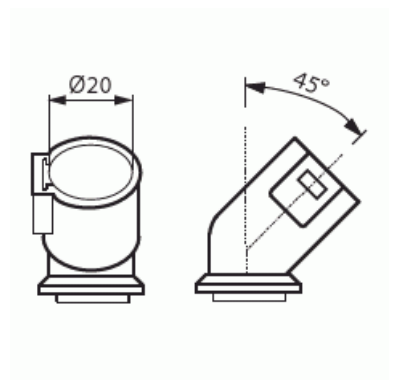
Type: ANK20

Product ID: 2TKA160020G1

GTIN: 6410011527221



The ANK20 angle inlet is equipped with locking device which prevents conduit disconnection. The conduit can be unfastened by twisting it. Angle inlet ANK20 is both right and left handed. The inlet can be used both in mounting boxes and in junction boxes. Made of halogen free material (IEC/61249-2-21).



Technical specification

Packing

Package:	100/500
Unit:	PCS

ETIM Data

ETIM Version:	ETIM-9.0
ETIM Class:	EC002328
Type of accessory/spare part:	Other
Accessory:	Yes
Spare part:	No
Suitable for built-in installation box:	Yes
Suitable for central conduit box:	No

