

Product Card

Connection cover for mounting box, IP 44



Connection cover

Connection cover for mounting box, IP 44

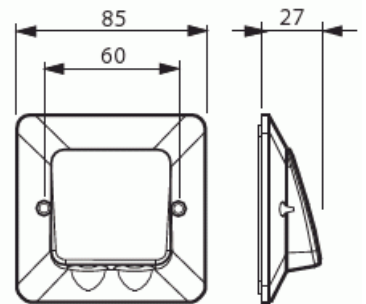
Type: AK4

Product ID: 2TKA150003G1

GTIN: 6410011525753



The AK4 is a dual-component conversion cover (85 x 85 mm) for use in splash-proof and dry conditions. The screw distance is 60 mm. For cables Ø 6,0 - 15,0 mm. The cover is equipped with two strain reliefs.



Technical specification

Classification

Enclosure class:	IP44
------------------	------

Packing

Package:	5/50
Unit:	PCS

ETIM Data

For box-/housing diameter:	71 mm
Length:	85 mm
Width:	85 mm
Depth:	85 mm

Product Card

Connection cover for mounting box, IP 44



Shape:	Square
Model:	Mounting cover
With cable outlet:	Yes
Halogen free:	Yes
Colour:	White
With screws:	Yes
Sealable:	No