

Connection cover

Connection cover, IP44

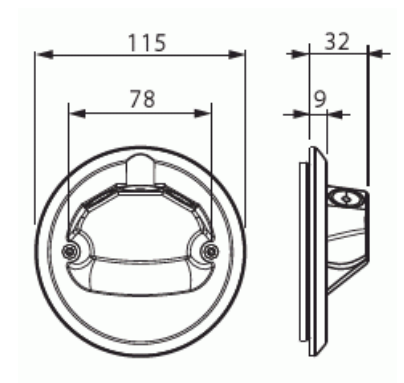
Type: AK12.2

Product ID: 2TKA150002G1

GTIN: 6418677311680



Made of halogen free material (IEC/61249-2-21).



Technical specification

Classification

Enclosure class:	IP44
------------------	------

Packing

Package:	10/50
Unit:	PCS

ETIM Data

Diameter:	115 mm
For box-/housing diameter:	95 mm
Length:	115 mm
Width:	115 mm

Product Card

Connection cover, IP44



Depth:	115 mm
Shape:	Round
Model:	Mounting cover
With cable outlet:	Yes
Halogen free:	Yes
Colour:	White
With screws:	Yes
Sealable:	No