

Extension rings

EXTENSION RINGS S-PBR60/4

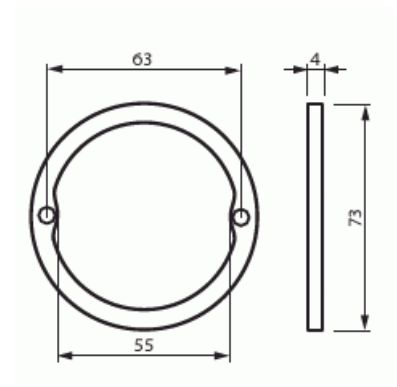
Type: ATI17

Product ID: 2TKA140022G1

GTIN: 6418677301094



Made of halogen free material (IEC/61249-2-21).



Technical specification

Packing

Package:	50/1200
Unit:	PCS

ETIM Data

Levelling height:	4 mm
Length:	73 mm
Width:	73 mm
Diameter:	71 mm
Shape:	Round
With cover:	No
Application:	Built-in installation box (device box)

Product Card

EXTENSION RINGS S-PBR60/4



Mounting method:

Hollow wall

Extension ring:

Yes