

# Extension ring

EXTENSION RING S-PBR60/2

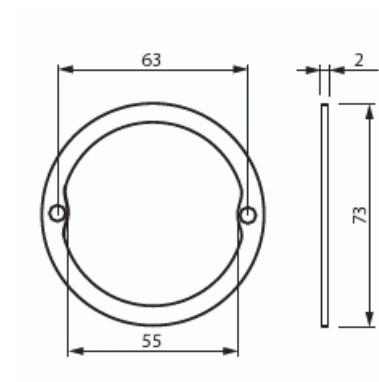
**Type:** ATI16

**Product ID:** 2TKA140021G1

**GTIN:** 6418677301087



Made of halogen free material (IEC/61249-2-21).



## Technical specification

### Packing

Package:	50/1000
Unit:	PCS

### ETIM Data

Levelling height:	2 mm
Length:	73 mm
Width:	73 mm
Diameter:	71 mm
Shape:	Round
With cover:	No
Application:	Built-in installation box (device box)

# Product Card

EXTENSION RING S-PBR60/2



Mounting method:

Hollow wall

Extension ring:

Yes