

Product Card

Strain-relief for 1 cable, Ø 10,5 – 20 mm



Strain-relief

Strain-relief for 1 cable, Ø 10,5 – 20 mm

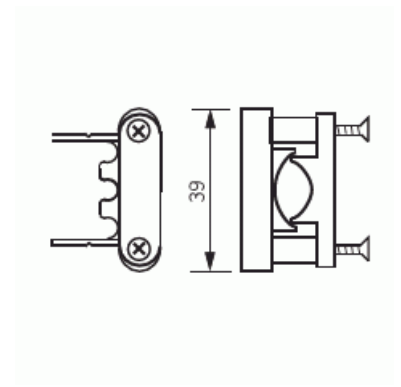
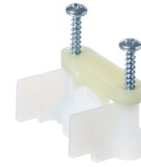
Type: AS9.1

Product ID: 2TKA140017G1

GTIN: 6410016125927



The junction boxes AP7, AP9 and AP10 can be furnished with the strain-relief AS9.1, for one cable Ø 10,5 - 20 mm.



Technical specification

Packing

Package:	1/50/500/6000
Unit:	PCS