

## Product Card

Strain-relief and connector, for 1 cable, Ø 6 – 19 mm



# Strain-relief

Strain-relief and connector, for 1 cable, Ø 6 – 19 mm

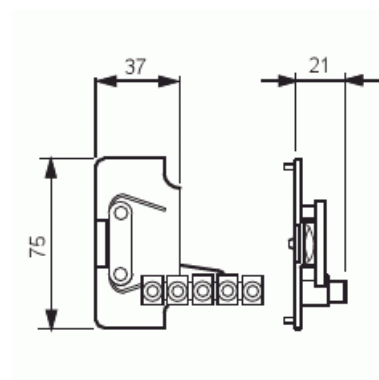
**Type:** AS9

**Product ID:** 2TKA140016G1

**GTIN:** 6410016125903



The junction boxes AP7, AP9 and AP10 can be furnished with the strain-relief AS9 for Ø 6 - 19 mm cables. The strain-relief AS9 has a 5-pole connector (2,5 mm<sup>2</sup>). The maximum wire capacity per connector is 4 x 2,5 mm<sup>2</sup> or 6 x 1,5 mm<sup>2</sup>.



## Technical specification

### Packing

Package:	1/50/500/6000
Unit:	PCS