

Junction box

Surface-mounted junction box IP65, 86 x 86 mm, grey

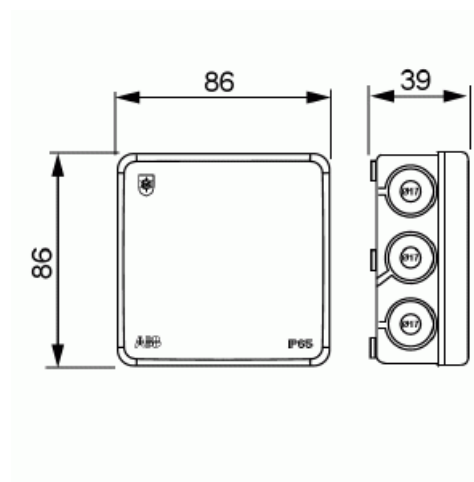
Type: AP9/G

Product ID: 2TKA140014G1

GTIN: 6410016125088



The square junction box AP9/G (2,5 mm², 500 V) is equipped with 12 membrane cable entries for cables up to Ø 17 mm in the sides, and two at the bottom for cables up to Ø 19 mm . Cables are easy to connect by simply inserting the stripped ends through the inlets. The box locks by snapping and can be opened by inserting a screwdriver (for example) into the opening slots - no screws are needed. The box can be furnished with strain-reliefs AS9.10, AS9, AS9.1 and AS9.3, which fits for Ø 6 - 15,5 mm cable. VDE-approved. Mounting temperature -25...+60 °C. Made of halogen free material (IEC/61249-2-21).



Technical specification

Electrical quantities

Rated voltage:	500 V
Wire range:	2.5 mm ²

Classification

Enclosure class:	IP65
------------------	------

Product Card

Surface-mounted junction box IP65, 86 x 86 mm, grey



Dimensions

Dimensions:	86x86x39 mm
Weight:	66 g

Thermal conditions

Operating temperature:	-25 ... 60 °C
------------------------	---------------

Colors

Colour:	Grey
Colour code:	RAL7035

Packing

Package:	5/50
Unit:	PCS

ETIM Data

Equipped with:	None
Shape:	Square
Mounting method:	Universal
Mounting in the soil:	No
Mounting under water:	No
Inlet from the rear:	Yes
Length:	86 mm
Width:	86 mm
Depth:	86 mm
Tackable:	No
Number of inlets:	14
Type of housing feed-through:	Seal membrane
Material:	Other
Halogen free:	Yes
Surface protection:	Untreated
Colour:	Grey

Product Card

Surface-mounted junction box IP65, 86 x 86 mm, grey



Degree of protection (IP):	IP65
Cover model:	Blind cover
Transparent cover:	No
Cover attachment:	Snapped on
Castable:	No
With casting compound:	No
Sealable:	No
Rated insulation voltage Ui:	500 V
With screening:	No
Weatherproof:	Yes
Operating temperature:	-25...60 °C
Explosion-tested version:	No