

Product Card

Surface-mounted junction box, IP65, 86 x 86 mm, black



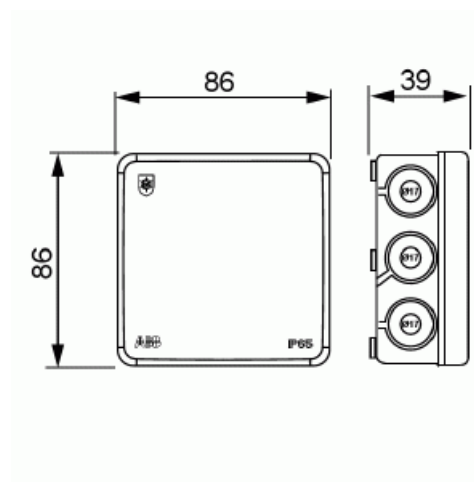
Junction box IP65

Surface-mounted junction box, IP65, 86 x 86 mm, black

Type: AP9M

Product ID: 2TKA140013G1

GTIN: 6418677329906



The square junction box AP9M (2,5 mm², 500 V) is equipped with 12 membrane cable entries (Ø 17 mm) in the sides, and two in the bottom. Cables are easy to connect by simply inserting the stripped ends through the inlets. The box locks by snapping and can be opened by inserting a screwdriver (for example) into the opening slots - no screws are needed. The box can be furnished with strain-reliefs AS9.10, AS9, AS9.1 and AS9.3. Fits Ø 6 - 15,5 mm cable. VDE-approved. Mounting temperature -25...+60 °C. Made of halogen free material (IEC/61249-2-21).

Technical specification

Electrical quantities

Rated voltage:	500 V
Wire range:	2.5 mm ²

Classification

Enclosure class:	IP65
------------------	------

Product Card

Surface-mounted junction box, IP65, 86 x 86 mm, black



Dimensions

Dimensions:	86x86x39 mm
Weight:	66 g

Thermal conditions

Operating temperature:	-25 ... 60 °C
------------------------	---------------

Colors

Colour:	Black
Colour code:	RAL9011

Packing

Package:	5/50
Unit:	PCS

ETIM Data

Equipped with:	None
Shape:	Square
Mounting method:	Universal
Mounting in the soil:	No
Mounting under water:	No
Inlet from the rear:	Yes
Length:	86 mm
Width:	86 mm
Depth:	86 mm
Tackable:	No
Number of inlets:	14
Type of housing feed-through:	Seal membrane
Material:	Other
Halogen free:	Yes
Surface protection:	Untreated
Colour:	Black

Product Card

Surface-mounted junction box, IP65, 86 x 86 mm, black



Degree of protection (IP):	IP65
Cover model:	Blind cover
Transparent cover:	No
Cover attachment:	Snapped on
Castable:	No
With casting compound:	No
Sealable:	No
Rated insulation voltage Ui:	500 V
With screening:	No
Weatherproof:	Yes
Operating temperature:	-25...60 °C
Explosion-tested version:	No