

## Product Card

Junction box IP20, white, 60 x 60 mm



# Junction box IP20

Junction box IP20, white, 60 x 60 mm

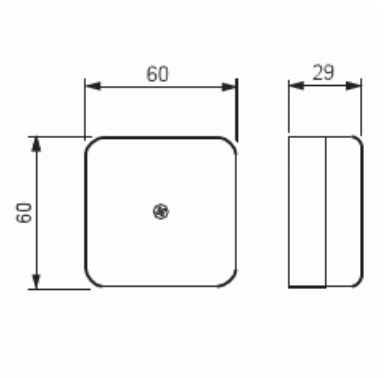
**Type:** AP6

**Product ID:** 2TKA140006G1

**GTIN:** 6410016020062



The AP6 square junction box is spacious and easy to wire. The box is equipped with an insulated 5-way connector. The transparent wire connector makes it easy to ensure sufficient wire depth. The maximum wire capacity per connector is 4 x 2,5 mm<sup>2</sup> or 6 x 1,5 mm<sup>2</sup>. The box has 6 knock-outs, 2 of which are in the bottom. Made of halogen free material (IEC/61249-2-21).



## Technical specification

### Electrical quantities

Rated voltage:	400 V
----------------	-------

### Classification

Enclosure class:	IP20
------------------	------

### Dimensions

Weight:	42 g
For conductor:	2.5 mm <sup>2</sup>

# Product Card

Junction box IP20, white, 60 x 60 mm



## Colors

Colour:	White
Colour code:	RAL9003

## Packing

Package:	10/100
Unit:	PCS

## ETIM Data

Shape:	Square
Mounting method:	Universal
Mounting in the soil:	No
Mounting under water:	No
Inlet from the rear:	Yes
Length:	60 mm
Width:	60 mm
Depth:	60 mm
Tackable:	No
Number of inlets:	8
Material:	Other
Halogen free:	Yes
Surface protection:	Untreated
Colour:	White
Degree of protection (IP):	IP20
Cover model:	Blind cover
Transparent cover:	No
Cover attachment:	Screwed
Castable:	No
With casting compound:	No
Sealable:	No
Rated insulation voltage Ui:	230 V
With screening:	No

# Product Card

Junction box IP20, white, 60 x 60 mm



Weatherproof:	No
Operating temperature:	-15...60 °C
Explosion-tested version:	No