

## Product Card

Junction box IP20, 59 x 79 mm, without connectors



# Junction box

Junction box IP20, 59 x 79 mm, without connectors



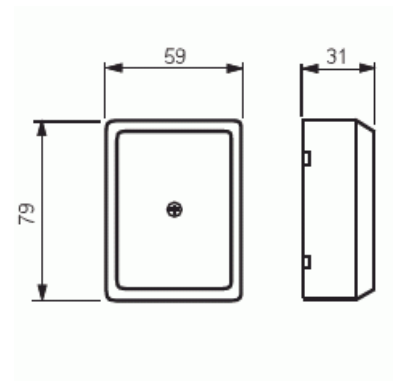
**Type:** AP12.1

**Product ID:** 2TKA140005G1

**GTIN:** 6418677301452



Junction box IP20 without connectors



## Technical specification

### Classification

Enclosure class:	IP20
------------------	------

### Colors

Colour:	White
Colour code:	RAL9003

### Packing

Package:	10/50
Unit:	PCS

### ETIM Data

© ABB 2024

Business ID 0763403-0

[www.installationmaterials.com](http://www.installationmaterials.com)

**Customer service**

puh. +358 10 222 1999

[contact.center@fi.abb.com](mailto:contact.center@fi.abb.com)

**ABB Exchange**

+358 10 22 11

# Product Card

Junction box IP20, 59 x 79 mm, without connectors



Shape:	Rectangular
Mounting method:	Universal
Mounting in the soil:	No
Mounting under water:	No
Inlet from the rear:	Yes
Length:	79 mm
Width:	59 mm
Depth:	79 mm
Tackable:	No
Number of inlets:	9
Material:	Other
Halogen free:	Yes
Surface protection:	Untreated
Colour:	White
Degree of protection (IP):	IP20
Cover model:	Blind cover
Transparent cover:	No
Cover attachment:	Screwed
Castable:	No
With casting compound:	No
Sealable:	No
Rated insulation voltage Ui:	230 V
With screening:	No
Weatherproof:	No
Operating temperature:	-15...60 °C
Explosion-tested version:	No