

Product Card

Junction box IP20, 59 x 79 mm



Junction box

Junction box IP20, 59 x 79 mm

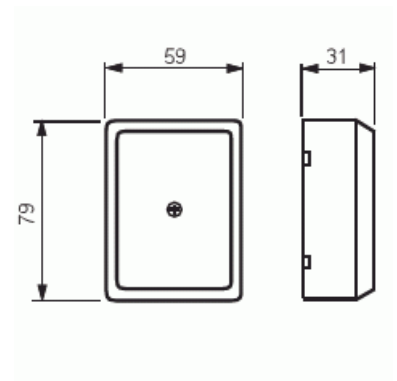
Type: AP12

Product ID: 2TKA140004G1

GTIN: 6410016020123



The AP12 junction box has two 3-pole insulate 6 mm² connectors. The base plate offers a choice of eight different connection points for the connectors. In the bottom of the box there are three knock-outs. The cover has knock-outs in the corners and on the long sides of the cover. The maximum wire capacity per connector is 8 x 1,5 mm² or 5 x 2,5 mm².



Technical specification

Classification

Enclosure class:	IP20
------------------	------

Colors

Colour:	White
Colour code:	RAL9003

Packing

Package:	10/50
Unit:	PCS

ETIM Data

© ABB 2024

Business ID 0763403-0

www.installationmaterials.com

Customer service

puh. +358 10 222 1999

contact.center@fi.abb.com

ABB Exchange

+358 10 22 11

Product Card

Junction box IP20, 59 x 79 mm



Shape:	Rectangular
Mounting method:	Universal
Mounting in the soil:	No
Mounting under water:	No
Inlet from the rear:	Yes
Length:	79 mm
Width:	59 mm
Depth:	79 mm
Tackable:	No
Number of inlets:	9
Material:	Other
Halogen free:	Yes
Surface protection:	Untreated
Colour:	White
Degree of protection (IP):	IP20
Cover model:	Blind cover
Transparent cover:	No
Cover attachment:	Screwed
Castable:	No
With casting compound:	No
Sealable:	No
Rated insulation voltage Ui:	230 V
With screening:	No
Weatherproof:	No
Operating temperature:	-15...60 °C
Explosion-tested version:	No