

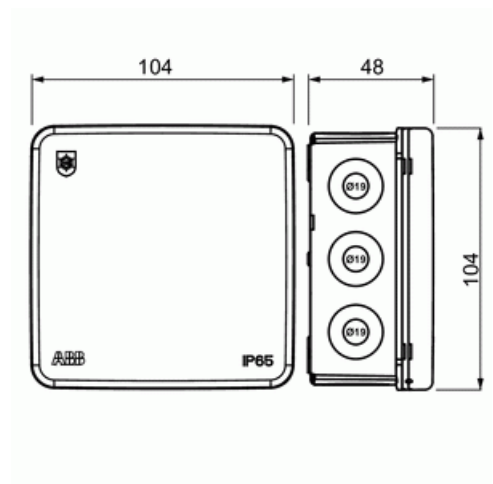
# Junction box

Junction box IP65, grey

**Type:** AP10/G

**Product ID:** 2TKA140003G1

**GTIN:** 6418677307287



The square junction box AP10/G (6,0 mm<sup>2</sup>, 500 V) is equipped with 12 membrane cable entries (Ø 19 mm) in the sides, and two on the bottom. Cables are easy to connect by simply inserting the stripped ends through the inlets. The box locks by snapping and can be opened by inserting a screwdriver (for example) into the opening slots - no screws are needed. The box can be furnished with strain-reliefs AS9.10, AS9, AS9.1 and AS9.3. Mounting temperature -25...+60 °C. Made of halogen free material (IEC/61249-2-21)

## Technical specification

### Electrical quantities

Rated voltage:	500 V
Wire range:	6 mm <sup>2</sup>

### Classification

Enclosure class:	IP65
------------------	------

# Product Card

Junction box IP65, grey



## Dimensions

Dimensions:	104 x 104 mm
-------------	--------------

## Colors

Colour:	Grey
Colour code:	RAL7035

## Packing

Package:	5/30
Unit:	PCS

## ETIM Data

Equipped with:	None
Shape:	Square
Mounting method:	Universal
Mounting in the soil:	No
Mounting under water:	No
Inlet from the rear:	Yes
Length:	104 mm
Width:	104 mm
Depth:	104 mm
Tackable:	No
Number of inlets:	12
Type of housing feed-through:	Seal membrane
Material:	Other
Halogen free:	Yes
Surface protection:	Untreated
Colour:	Grey
Degree of protection (IP):	IP65
Cover model:	Blind cover
Transparent cover:	No
Cover attachment:	Snapped on

# Product Card

Junction box IP65, grey



Castable:	No
With casting compound:	No
Sealable:	No
Rated insulation voltage Ui:	500 V
With screening:	No
Weatherproof:	Yes
Operating temperature:	-25...60 °C
Explosion-tested version:	No