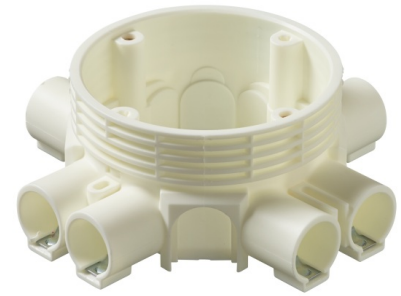


Junction box

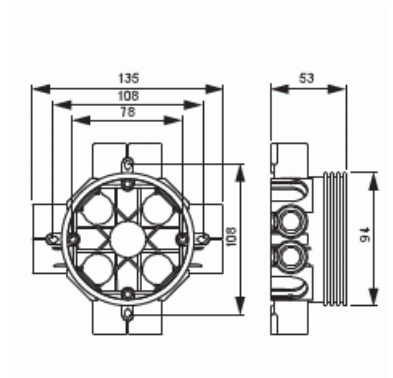
Type: AU8

Product ID: 2TKA130033G1

GTIN: 6410011521083



The AU8 junction box is 53 mm high and has eight inlets for Ø 20 conduits. The box also has knock-outs for 4 side inlets and 4 bottom inlets. In wall installation the box can be attached with a AS13.12 support. Made of halogen free material (IEC/61249-2-21) and fulfills the requirements of the glow wire test according to the standard IEC/EN60670: 2005 (850 °C). Max amount of conductors 30.



Technical specification

Packing

Package:	100
Unit:	PCS

ETIM Data

Mounting method:	Flush mounted (plaster)
Shape:	Round
Construction type:	Cable junction box
Model:	Single
Provided with revolving ring:	No
Connectable:	No
Equipped with:	None

Product Card

Junction box



Diameter:	94 mm
Length:	135 mm
Width:	135 mm
Depth:	135 mm
Inner depth:	49 mm
For number of electric fittings:	1
Mounting switching equipment:	Screwing
With screws:	No
Housing feed-through by break-out opening:	Yes
Housing feed-through by seal membrane:	No
Housing feed-through by nozzle:	Yes
Housing feed-through by step membrane:	No
For tube diameter:	20/25 mm
Pipe locking:	Yes
Pipe locking optional:	No
Inlet from the rear:	Yes
Number of inlets:	8
Number of included spouts:	8
Material:	Plastic
Halogen free:	Yes
Surface protection:	Untreated
Colour:	White
Transparent cover:	No
Cover attachment:	Snapped on
Sealable:	No
With screening:	No
Air tight:	No
Clamp position fixed:	No
Luminaire hook mounting:	No
Special application:	None