

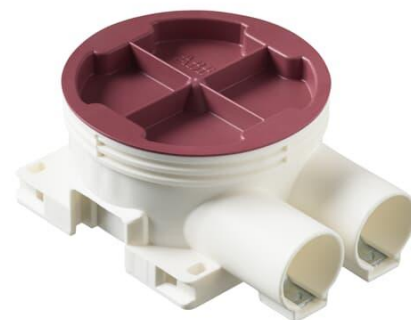
Product Card

Low mounting box, height 38 mm, branched 2-way



Low mounting box, branch.2-way

Low mounting box, height 38 mm,
branched 2-way



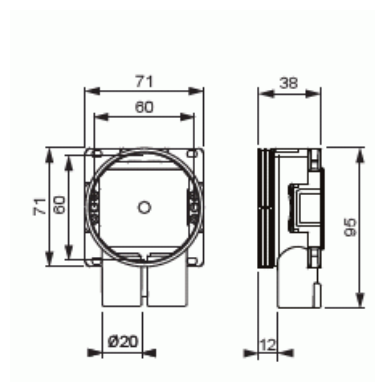
Type: AU6.2

Product ID: 2TKA130032G1

GTIN: 6410011523155



The box has 2 branch inlets with locking devices for D20 conduits. A separate inlet can be attached to the side opposite the fixed inlets. The bottom of the box has two inlets. Inlets cannot be attached to the sides of the box, but the sides can be used to connect boxes with each other using a PMR474 interconnector cut level with the bottom of the box. The height of the box is 38 mm. Made of halogen free material (IEC/61249-2-21) and fulfills the requirements of the glow wire test according to the standard IEC/EN60670: 2005 (850 °C).



Technical specification

Dimensions

For plastic pipe:	Ø16/20mm
-------------------	----------

Packing

Package:	100
Unit:	PCS

ETIM Data

Mounting method:	Flush mounted (plaster)
------------------	-------------------------

© ABB 2024

Business ID 0763403-0

www.installationmaterials.com

Customer service

puh. +358 10 222 1999

contact.center@fi.abb.com

ABB Exchange

+358 10 22 11

Product Card

Low mounting box, height 38 mm, branched 2-way



Shape:	Round
Construction type:	Device connection box (round/square)
Model:	Single
Provided with revolving ring:	No
Connectable:	Yes
Equipped with:	None
Diameter:	71 mm
Length:	71 mm
Width:	71 mm
Depth:	71 mm
Inner depth:	36 mm
For number of electric fittings:	1
Mounting switching equipment:	Screwing
With screws:	Yes
Housing feed-through by break-out opening:	Yes
Housing feed-through by seal membrane:	No
Housing feed-through by nozzle:	Yes
Housing feed-through by step membrane:	No
For tube diameter:	20/25 mm
Pipe locking:	Yes
Pipe locking optional:	No
Inlet from the rear:	Yes
Number of inlets:	2
Number of included spouts:	2
Material:	Plastic
Halogen free:	Yes
Surface protection:	Untreated
Colour:	White
Transparent cover:	No
Cover attachment:	Snapped on
Sealable:	No
With screening:	No
Air tight:	No
Clamp position fixed:	No

Product Card

Low mounting box, height 38 mm, branched 2-way



Luminaire hook mounting:	No
Special application:	None
