

Mounting box, branched 2-way

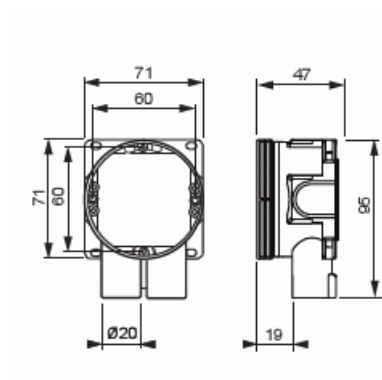
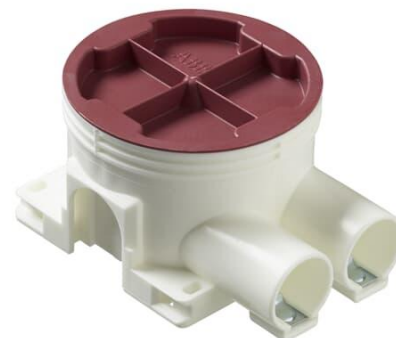
Type: AU5.2

Product ID: 2TKA130031G1

GTIN: 6410011523032



The characteristics of this box are the same as the AU3.2; the difference is in the inlets. The box has 2 branch inlets for D20 conduits. There are also 3 knock-out on the side, and 2 on the bottom. Made of halogen free material (IEC/61249-2-21) and fulfills the requirements of the glow wire test according to the standard IEC/EN60670: 2005 (850 °C).



Technical specification

Dimensions

For plastic pipe:	Ø16/20mm
-------------------	----------

Packing

Package:	100
Unit:	PCS

ETIM Data

Mounting method:	Flush mounted (plaster)
Shape:	Round
Construction type:	Device connection box (round/square)
Model:	Single

Product Card

Mounting box, branched 2-way



Provided with revolving ring:	No
Connectable:	Yes
Equipped with:	None
Diameter:	71 mm
Length:	71 mm
Width:	71 mm
Depth:	71 mm
Inner depth:	45 mm
For number of electric fittings:	1
Mounting switching equipment:	Screwing
With screws:	Yes
Housing feed-through by break-out opening:	Yes
Housing feed-through by seal membrane:	No
Housing feed-through by nozzle:	Yes
Housing feed-through by step membrane:	No
For tube diameter:	20/25 mm
Pipe locking:	Yes
Pipe locking optional:	No
Inlet from the rear:	Yes
Number of inlets:	2
Number of included spouts:	2
Material:	Plastic
Halogen free:	Yes
Surface protection:	Untreated
Colour:	White
Transparent cover:	No
Cover attachment:	Snapped on
Sealable:	No
With screening:	No
Air tight:	No
Clamp position fixed:	No
Luminaire hook mounting:	No
Special application:	None