

## Product Card

Wall clamp, for 12 - 13 mm board



# Wall clamp

Wall clamp, for 12 - 13 mm board

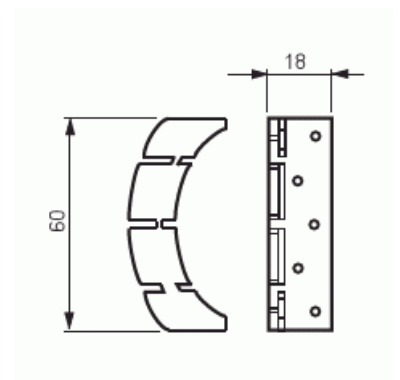
**Type:** AS8.13

**Product ID:** 2TKA130015G1

**GTIN:** 6410011527689



Wall clamps offer a rapid means of attaching a mounting box to a 12-13 mm thick board wall. Wall clamp AS8.13 is available for 12 - 13 mm. The hole is made with an AT5 hole saw (Ø 74 mm), and the board clamps are placed on either side of the board. The box is pushed through the hole from behind the board, and becomes locked between the board clamps.



## Technical specification

### Packing

Package:	100/1000
Unit:	PCS

### ETIM Data

Type of accessory/spare part:	Other
Accessory:	Yes
Spare part:	No
Suitable for built-in installation box:	Yes
Suitable for central conduit box:	No