

Installation plug

Installation plug for mounting/junction boxes



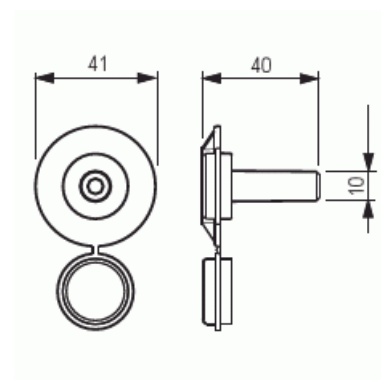
Type: AS25

Product ID: 2TKA130010G1

GTIN: 6418677329876



The AS25 installation plug is used for fixing mounting/junction boxes through their base onto, for instance, concrete casting moulds. When the casts are removed, the plugs break at the groove that is level with the base. Made of halogen free material (IEC/61249-2-21).



Technical specification

Packing

Package:	10/100
Unit:	PCS

ETIM Data

Type of accessory/spare part:	Other
Accessory:	Yes
Spare part:	No
Suitable for built-in installation box:	Yes
Suitable for central conduit box:	No