

Strain relief inlet

Strain relief inlet for mounting- and junction boxes

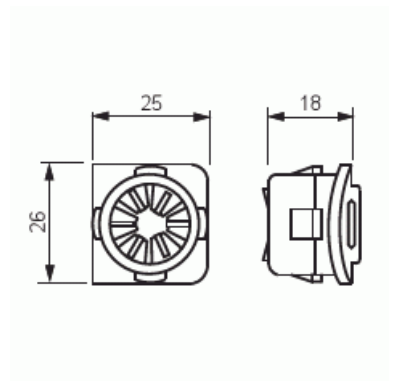
Type: AS12

Product ID: 2TKA130005G1

GTIN: 6410011525784



The AS12 strain-relief inlet is used in conduitless flush mounting to fasten 5 x 2,5 mm² cables to the mounting boxes or junction boxes. The boxes are installed in the standard way in the board or other structure. (Conduitless flush mounting is acceptable in hollow structures under special circumstances). Made of halogen free material (IEC/61249-2-21).



Technical specification

Packing

Package:	100/500
Unit:	PCS