

Product Card

Extension ring for junction box, 13 mm, screw distance c/c 78 mm



Extension ring

Extension ring for junction box, 13 mm,
screw distance c/c 78 mm

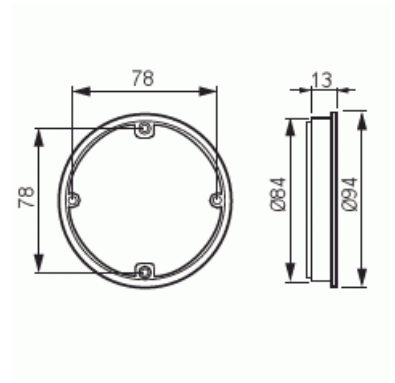
Type: AK7

Product ID: 2TKA130004G1

GTIN: 6410011521908



The junction box height can be increased by 13 mm by means of the AK7 extension ring. Screw distance c/c 78 mm.



Technical specification

Packing

Package:	50
Unit:	PCS

ETIM Data

Levelling height:	13 mm
Length:	94 mm
Width:	94 mm
Diameter:	94 mm
Shape:	Round
With cover:	No
Application:	Built-in installation box (device box)

Product Card

Extension ring for junction box, 13 mm, screw distance c/c 78 mm



Mounting method:

Hollow wall

Extension ring:

Yes