

Product Card

Extension ring for junction box, 45mm, for junction boxes with c/c 78 mm screw distance



Extension ring

Extension ring for junction box, 45mm, for junction boxes with c/c 78 mm screw distance



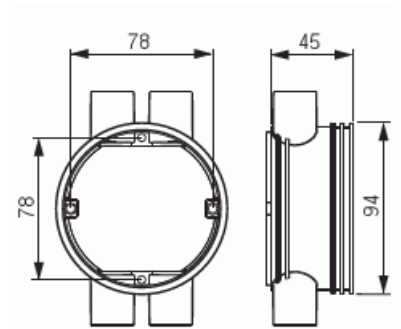
Type: AK14

Product ID: 2TKA130002G1

GTIN: 6410011521953



The AK14 extension ring is used to change the depth of the AU8 and AU19 junction boxes, so that conduiting can take place above the concrete reinforcement. It gives a 75 mm space between the top level of the cast and the conduits; the AU19 gives a space of 67 mm.



Technical specification

Packing

Package:	50
Unit:	PCS

ETIM Data

Levelling height:	45 mm
Length:	135 mm
Width:	94 mm
Diameter:	94 mm
Shape:	Round
With cover:	No
Application:	Built-in installation box (device box)

Product Card

Extension ring for junction box, 45mm, for junction boxes with c/c 78 mm screw distance



Mounting method:

Hollow wall

Extension ring:

Yes