

Conversion cover, IP20

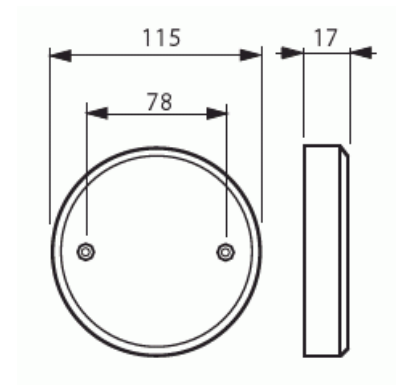
Type: AK13

Product ID: 2TKA130001G1

GTIN: 6410011525647



The AK13 is a smooth conversion cover designed for situations when flush mounting is converted to surface mounting. The cover has 8 knock-outs and is delivered with screws. Made of halogen free material (IEC/61249-2-21).



Technical specification

Classification

Enclosure class:	IP20
------------------	------

Packing

Package:	10/100
Unit:	PCS

ETIM Data

Diameter:	115 mm
For box-/housing diameter:	95 mm
Length:	115 mm
Width:	115 mm

Product Card

Conversion cover, IP20



Depth:	115 mm
Shape:	Round
Model:	Blind cover
With cable outlet:	No
Halogen free:	Yes
Colour:	White
With screws:	Yes
Sealable:	No