

## Product Card

Earthing terminal D = 8 - 28 mm



# Earthing terminal

Earthing terminal D = 8 - 28 mm

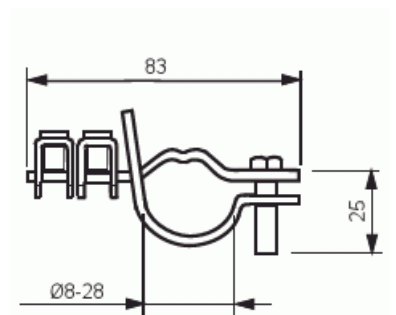
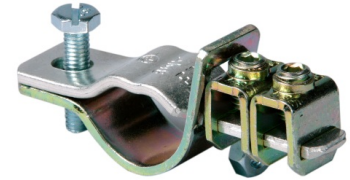
**Type:** AM8

**Product ID:** 2TKA110008G1

**GTIN:** 6410019130478



The earthing terminal AM8 is mainly used for connecting the earthing conductors to various pipework in sizes  $\varnothing$  8 - 28 mm. It is possible to adjust the terminal to suit to four different pipe thicknesses. The terminal has two 35 mm<sup>2</sup> pillar terminals. The conductor bar is made of tinned copper and the strap of zinc-plated steel. The pillar terminals are of zinc-plated and yellow passivated steel.



## Technical specification

### Packing

Package:	1/50
Unit:	PCS

### ETIM Data

Clamping/chucking range:	8...28 mm
Number of conductors:	2