

Product Card

Potential equalizer bar, max. 70 mm² Cu



Pot.equalizer bar

Potential equalizer bar, max. 70 mm² Cu

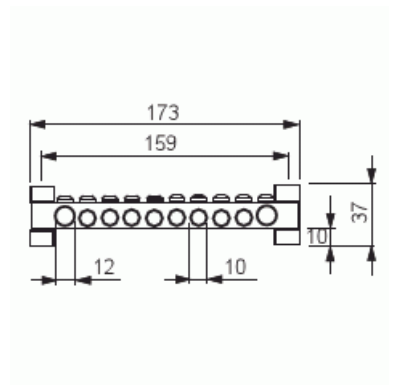
Type: AM4

Product ID: 2TKA110004G1

GTIN: 6410019130959



The potential equalizer bar AM4 is intended for the connection of system earthing conductors in buildings. Into AM4 it is possible to connect 8 pcs max. 50 mm² and 2 pcs max. 70 mm² conductors. The bar is made of tinned copper and fitted with zinc-plated steel screws and tracking-resistant thermoplastic spacers.



Technical specification

Packing

Package:	5/50
Unit:	PCS

ETIM Data

Model:	Without covering cap
Insulator:	Yes
Explosion-tested version:	No
Height:	173 mm
Width:	16 mm
Length:	37 mm
Number of connections round conductor 8 mm:	5

Product Card

Potential equalizer bar, max. 70 mm² Cu



Number of connections round conductor 10 mm:	5
Number of connections round conductor 8-10 mm:	5
Material of contact rail:	Copper
Material of clamp:	Stainless steel V4A
Surface of the clamp:	Untreated