

## Product Card

Adapter, Jussi center plate to Basic 55 cover plate



# Adapter

Adapter, Jussi center plate to Basic 55 cover plate

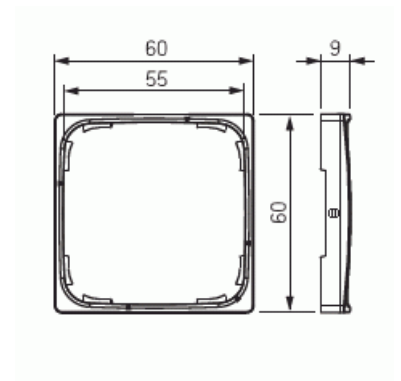
**Type:** 2519-B55

**Product ID:** 2TKA003870G1

**GTIN:** 6438199000442



Use to adapt Jussi center plate into Basic 55 cover frames.



## Technical specification

### Packing

Package:	5/50/500/9000
Unit:	PCS

### ETIM Data

Number of units:	1
Mounting direction:	Horizontal and vertical
Number of units horizontal:	1
Number of units vertical:	1
With mounting grid:	No
Flush-mounted installation:	Yes
Suitable for floor box:	No

# Product Card

Adapter, Jussi center plate to Basic 55 cover plate



Suitable for wall duct:	Yes
Suitable for built-in installation:	No
Label space/information surface:	No
Material:	Plastic
Material quality:	Thermoplastic
Halogen free:	Yes
Anti-bacterial treatment:	No
Surface protection:	Untreated
Colour:	White
Transparent:	No
With hinged lid:	No
Degree of protection (IP):	IP21
Width:	60 mm
Height:	10 mm
Depth:	60 mm
Built-in width:	60 mm
Built-in height:	60 mm
Diameter bore hole (opening):	74 mm