

Product Card

Tele outlet, Jussi, for 2xRJ45, connectors not included, AMP



Tele outlet

Tele outlet, Jussi, for 2xRJ45, connectors not included, AMP

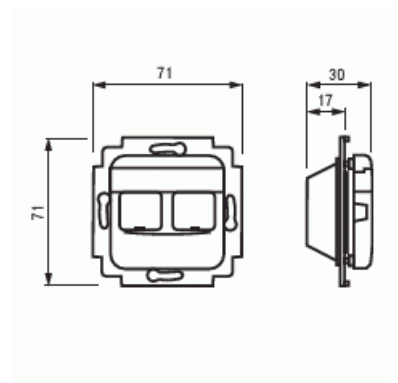
Type: FOT5010

Product ID: 2TKA002184G1

GTIN: 6410072040516



Tele outlet for two AMP RJ45 connectors. Compatible with the 85mm Jussi cover frames. The connectors are not included.



Technical specification

Packing

Package:	20/200
Unit:	PCS

ETIM Data

Assembly arrangement:	Basic element with central cover plate
Utilization:	Modular Jack
Support ring:	No
With dust cover:	Yes
With hinged lid:	No
With imprint:	No
Mounting method:	Flush mounted (plaster)

Product Card

Tele outlet, Jussi, for 2xRJ45, connectors not included, AMP



Material:	Plastic
Material quality:	Thermoplastic
Halogen free:	Yes
Anti-bacterial treatment:	No
Surface protection:	Untreated
Surface finishing:	Matt
Colour:	White
RAL-number (similar):	9010
Transparent:	No
Type of fastening:	Mounting with screw
With strain relief:	No
Luster terminal:	No
With lighting:	No
Suitable for degree of protection (IP):	IP20
Impact strength:	IK00
Device width:	71 mm
Device height:	26 mm
Device depth:	71 mm