

Product Card

Tape sensor, length 50 m



Tape Sensor

Tape sensor, length 50 m

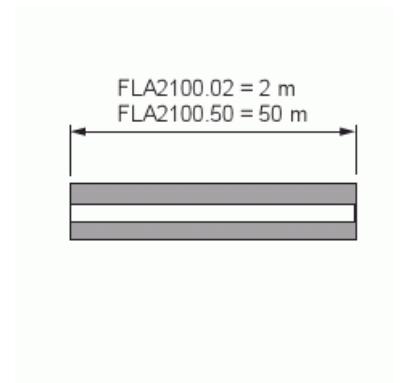
Type: FLA2100.50

Product ID: 2TKA002166G1

GTIN: 6410070607872



Self adhesive Leak Guard sensor. Wires connected to sensor by soldering. Length 50 m. The recommended length for a sensor of a single leak guard in good conditions is around 20 meters. When a longer sensor is desired or when installing in poor conditions, two separate sensors are used which are glued at a distance of 10 - 20 cm from each other.



Technical specification

Dimensions

Length:	50 m
---------	------

Packing

Package:	1/40
Unit:	PCS

ETIM Data

Type of messaging:	Water
Height:	50000 mm
Width:	15 mm
Depth:	5000 mm

Product Card

Tape sensor, lenght 50 m



Compatible with Apple HomeKit:	No
Compatible with Google Assistant:	No
Compatible with Amazon Alexa:	No
IFTTT support available:	No
