
Tape Sensor

Tape Sensor, length 2 m

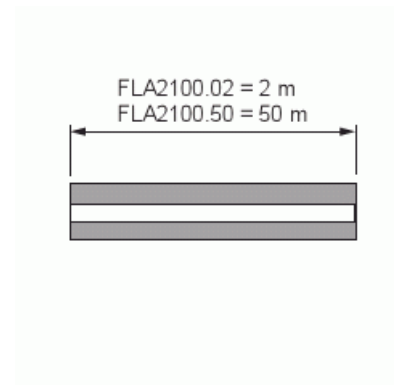
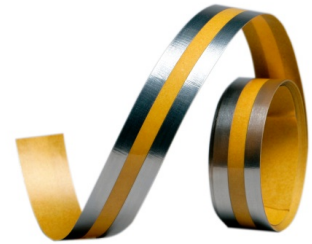
Type: FLA2100.02

Product ID: 2TKA002164G1

GTIN: 6410070607858



Self adhesive Leak Guard sensor. Wires connected to sensor by soldering. Length 2 m.



Technical specification

Dimensions

Length:	2 m
---------	-----

Materials

Material:	Polyethylene terephthalate
-----------	----------------------------

Packing

Package:	1/10/100/1200
Unit:	PCS

ETIM Data

Type of messaging:	Water
--------------------	-------

Product Card

Tape Sensor, lenght 2 m



Height:	2000 mm
Width:	15 mm
Depth:	2000 mm
Compatible with Apple HomeKit:	No
Compatible with Google Assistant:	No
Compatible with Amazon Alexa:	No
IFTTT support available:	No