

## Accessible Toilet alert system

Jussi Accessible Toilet alert, set with transformer



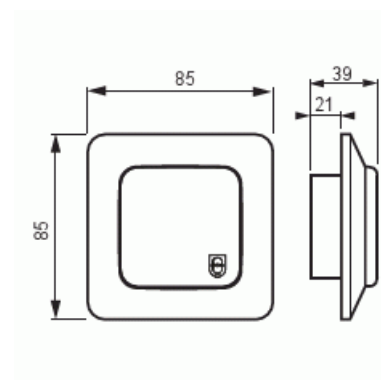
**Type:** FJW1004

**Product ID:** 2TKA002157G1

**GTIN:** 6418677332012



Jussi SET contains the following signalling products: 1 pc Transformer FLM1000, 1 pc 1-loop Alarm Unit FEH2001, 1 pc Signal Push Button with Draw Cord FAP3002 (calling) and 1 pc Signal Push Button FAP2001 (cancelling). All devices are equipped with coverframes 2511



## Technical specification

### Packing

Package:	1/10
Unit:	PCS

### ETIM Data

Model:	Complete set
Colour:	White
RAL-number (similar):	9010
Voltage type:	AC
With transformer:	Yes
Degree of protection (IP):	IP20
Device width:	85 mm

# Product Card

Jussi Accessible Toilet alert, set with transformer



---

Device height: 39 mm

---

Device depth: 85 mm

---