

# Signal Light

Signal Light, red

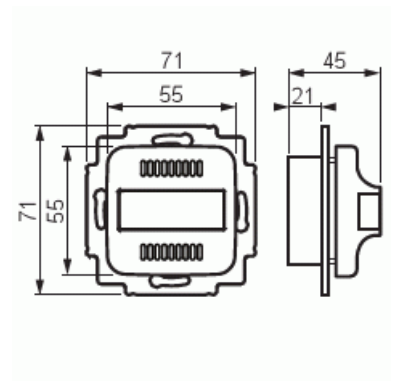
Type: FIM1000

Product ID: 2TKA002120G1

GTIN: 6410070607513



With big red lens. Operating voltage of LED's: 9,5 - 28 V ac / 9,5 - 35 V dc. Current consumption: 60 mA ac / 30 mA dc.



## Technical specification

### Electrical quantities

Operating voltage:	9,5 - 28 V ac / 9,5 - 35 V dc
Current consumption:	60 mA ac / 30 mA dc

### Classification

Enclosure class:	IP20
------------------	------

### Dimensions

Dimensions:	71x71x45 mm
Weight:	36 g

# Product Card

Signal Light, red



## Thermal conditions

Operating temperature:	5 ... 40 °C
Storage temperature:	-40 ... 70 °C

## Packing

Package:	1/10/100/1200
Unit:	PCS

## ETIM Data

Model:	Room luminaire
Colour:	White
RAL-number (similar):	9010
Voltage type:	AC/DC
With transformer:	No
Degree of protection (IP):	IP20
Device width:	71 mm
Device height:	71 mm
Device depth:	45 mm