
Alarm Unit

Alarm Unit, 1-loop

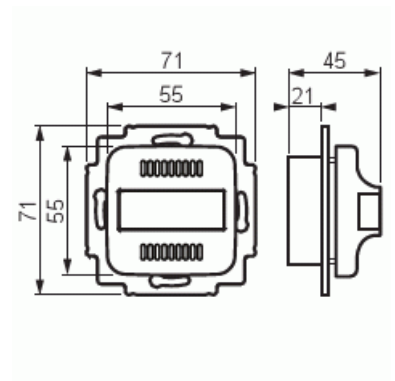
Type: FEH2001

Product ID: 2TKA002112G1

GTIN: 6410070607179



The loop controls itself against short circuits and breaks. Possibility to connect both closing and opening contacts. Input Memory / no memory. Potential free output. External cancelling with closing / opening contact. Operating voltage: 15 - 28 V ac / 18 - 35 V dc. Current Consumption: 110 mA ac / 60 mA. Sound intensity / frequency: 78 dB / 2,3 kHz (Intensity measured at 30 cm distance).



Technical specification

Electrical quantities

Operating voltage:	15 - 28 V ac / 18 - 35 V dc
Current consumption:	110 mA ac / 60 mA dc

Classification

Enclosure class:	IP20
------------------	------

Dimensions

Dimensions:	71x71x45 mm
Weight:	50 g

Product Card

Alarm Unit, 1-loop



Thermal conditions

Operating temperature:	5 ... 40 °C
Storage temperature:	-40 ... 70 °C

Signal products

Load capacity of power supply:	1,0 A ac/dc, 30 VA / W
Load capacity of potential free contact:	1,0 A ac/dc, 42 V ac / 60 V dc, 30 VA / W
Loop's closed circuit current:	≥ 5 mA
Loop's terminator:	≥ 1 kΩ
Alarm delay:	0,1 s (ei viiveen valintaa)
Loop's memory function:	on / off
Sound frequency:	2,3 kHz
Sound intensity:	≤ 78 dB

Packing

Package:	1/10/100/1200
Unit:	PCS

ETIM Data

Model:	Regulating combination
Colour:	White
RAL-number (similar):	9010
Voltage type:	AC/DC
With transformer:	No
Degree of protection (IP):	IP20
Device width:	71 mm
Device height:	71 mm
Device depth:	45 mm