

## Product Card

Wire Push Button with 6,3mm Jack Plug



# Wire Push Button

Wire Push Button with 6,3mm Jack Plug

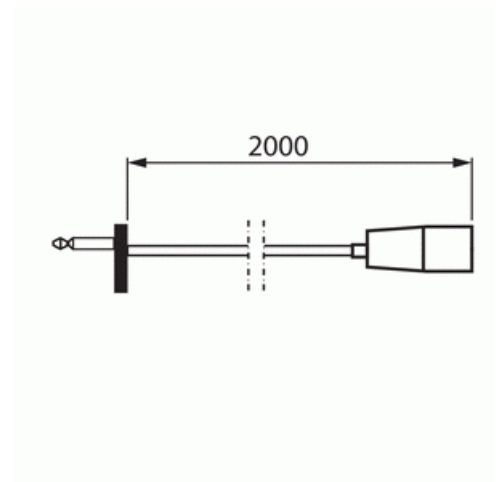
**Type:** FAP9001

**Product ID:** 2TKA002105G1

**GTIN:** 6410070607308



Push Button with 6.3 mm Jack plug (stereo). Closing contact. Length 2m.



## Technical specification

### Classification

Enclosure class: IP20

### Dimensions

Length: 2 m

### Thermal conditions

Operating temperature: 5 ... 40 °C

Storage temperature: -40 ... 70 °C

# Product Card

Wire Push Button with 6,3mm Jack Plug



## Signal products

Connector:	6,3 mm Jack
------------	-------------

## Packing

Package:	1/10/100/1200
Unit:	PCS

## ETIM Data

Model:	Pull cord
Colour:	White
RAL-number (similar):	9010
Voltage type:	DC
With transformer:	No
Degree of protection (IP):	IP43
Device width:	120 mm
Device height:	200 mm
Device depth:	20 mm