

# Signal Push Button

Signal Push Button, 1-fold

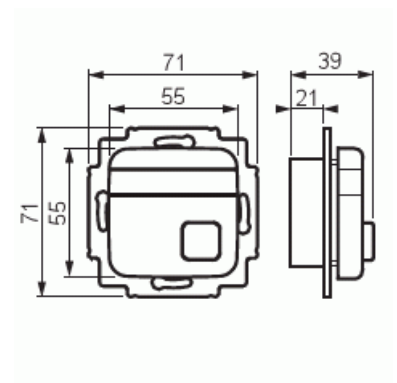
**Type:** FAP2001

**Product ID:** 2TKA002095G1

**GTIN:** 6410070607216



Signal Push Button with LED. Addressed / non-addressed function. Good marking possibilities. Operating voltage 9,5 - 28 V ac / 9,5 - 35 V dc. Current consumption: 20 mA ac / 10 mA dc. Switching voltage / - current / -power: 30 V ac / 35 V dc / 100 mA ac/dc / 3 VA/W.



## Technical specification

### Classification

Enclosure class:	IP20
------------------	------

### Dimensions

Dimensions:	71x71x39 mm
Weight:	36 g

### Thermal conditions

Operating temperature:	5 ... 40 °C
Storage temperature:	-40 ... 70 °C

# Product Card

Signal Push Button, 1-fold



## Signal products

Loading capacity of switch (max):	30 Vac / 35 Vdc, 100 mA ac/dc, 3 VA / 3 W
Operating voltage of signal lamp:	9,5 - 28 V ac / 9,5 - 35 V dc
Current drain of signal lamp:	20 mA ac / 10 mA dc

## Packing

Package:	1/10/100/1200
Unit:	PCS

## ETIM Data

Colour:	White
With transformer:	No
Device width:	71 mm
Device height:	39 mm
Device depth:	71 mm