

Product Card

Ceiling junction box for 13/26 mm board



Junction box

Ceiling junction box for 13/26 mm board

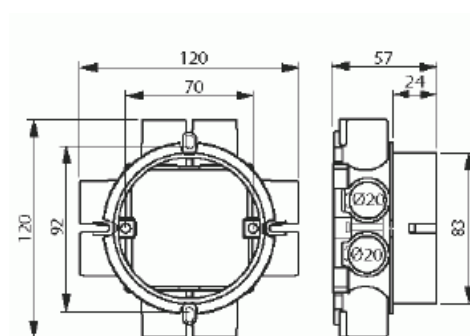
Type: AU70

Product ID: 2TKA001748G1

GTIN: 6418677332357



The ceiling junction box has two screw pillars for M4 screws, e.g. for attaching lamp connectors or roof lids and screw distance is c/c 70 mm. The green adapter ring, delivered with the box, is used when board thickness is 12-13 mm. The ring is removed when the board thickness is 24-26 mm e.g. double plaster board. There are 8 fixed inlets for 20 mm conduits, and 6 have an adapter for 16 mm conduit. All inlets are equipped with a locking device in metal for reliable connection between the conduits (flexi or stiff pipe) and the box. In addition, there are two knock outs in the bottom for different inlets. Manufactured from halogen free material (IEC/61249-2-21), the box complies with the IEC/EN60670:2005 glow wire test (850 °C).



Technical specification

Electrical quantities

Rated voltage: 400 V

Thermal conditions

Operating temperature: -25 ... 90 °C

Dimensions

For plastic pipe: Ø16/20mm

Product Card

Ceiling junction box for 13/26 mm board



Packing

Package:	50
Unit:	PCS

ETIM Data

Mounting method:	Flush mounted (plaster)
Shape:	Round
Construction type:	Cable junction box
Model:	Single
Provided with revolving ring:	No
Connectable:	No
Equipped with:	None
Diameter:	92 mm
Length:	120 mm
Width:	120 mm
Depth:	120 mm
Inner depth:	53 mm
For number of electric fittings:	1
Mounting switching equipment:	Screwing
With screws:	No
Housing feed-through by break-out opening:	No
Housing feed-through by seal membrane:	No
Housing feed-through by nozzle:	Yes
Housing feed-through by step membrane:	No
For tube diameter:	16 mm
Pipe locking:	Yes
Pipe locking optional:	No
Inlet from the rear:	Yes
Number of inlets:	8
Number of included spouts:	8
Material:	Plastic
Halogen free:	Yes
Surface protection:	Untreated

Product Card

Ceiling junction box for 13/26 mm board



Colour:	Blue
Degree of protection (IP):	IP3X
Cover model:	Construction protective cover
Transparent cover:	No
Cover attachment:	Snapped on
Sealable:	No
With screening:	No
Air tight:	No
Clamp position fixed:	No
Luminaire hook mounting:	No
Special application:	None