

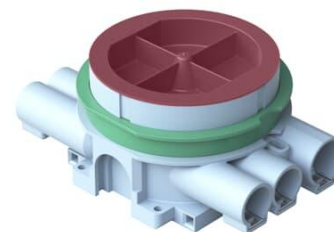
# Mounting box

for 12-13/24-26 mm board

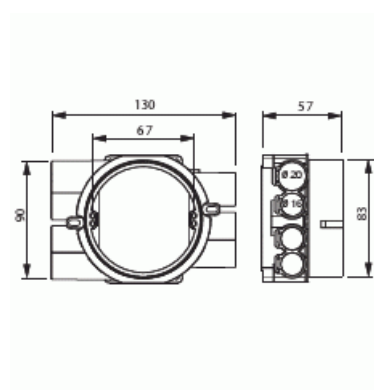
**Type:** AU67

**Product ID:** 2TKA001746G1

**GTIN:** 6418677332340



The mounting box has a rotating ring for adjusting the screw holes for device installation in optimal angle and screw distance is c/c 67mm. The green adapter ring, delivered with the box, is used in single-board walls (12-13 mm). The ring is removed when the wall thickness is two boards (24-26 mm). There are five fixed inlets for 16 mm conduits, three are open, and two fixed inlets for 20 mm conduits. All inlets are equipped with a locking device in metal for reliable connection between the conduits (flexi or stiff pipe) and the box. In addition, there are two knock outs on the sides and two in the bottom for different inlets.



Manufactured from halogen free material (IEC/61249-2-21), the box complies with the IEC/EN60670:2005 glow wire test (850 °C).

## Technical specification

### Classification

Enclosure class:	IP44
------------------	------

### Electrical quantities

Rated voltage:	400 V
----------------	-------

### Thermal conditions

Operating temperature:	-25 ... 60 °C
------------------------	---------------

## Certifications

Approval:	SP SITAC 1002, SC0854-09
-----------	--------------------------

## Packing

Package:	40
Unit:	PCS

## ETIM Data

Mounting method:	Flush mounted (plaster)
Shape:	Round
Construction type:	Device connection box (round/square)
Model:	Single
Provided with revolving ring:	Yes
Connectable:	Yes
Equipped with:	None
Diameter:	90 mm
Length:	90 mm
Width:	130 mm
Depth:	90 mm
Inner depth:	53 mm
For number of electric fittings:	1
Mounting switching equipment:	Screwing
With screws:	Yes
Housing feed-through by break-out opening:	Yes
Housing feed-through by seal membrane:	No
Housing feed-through by nozzle:	Yes
Housing feed-through by step membrane:	No
For tube diameter:	16/20 mm
Pipe locking:	Yes
Pipe locking optional:	No
Inlet from the rear:	Yes
Number of inlets:	7
Number of included spouts:	7

# Product Card

for 12-13/24-26 mm board



Material:	Plastic
Halogen free:	Yes
Surface protection:	Untreated
Colour:	Blue
Degree of protection (IP):	IP3X
Cover model:	Construction protective cover
Transparent cover:	No
Cover attachment:	Snapped on
Sealable:	No
With screening:	No
Air tight:	No
Clamp position fixed:	No
Luminaire hook mounting:	No
Special application:	None