

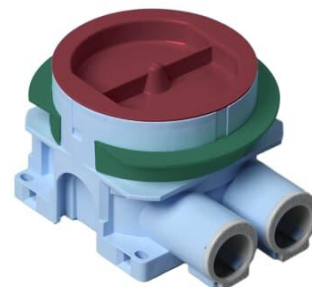
Mounting box

Mounting box, 12-13/24-26 mm board

Type: AU60.1

Product ID: 2TKA001744G1

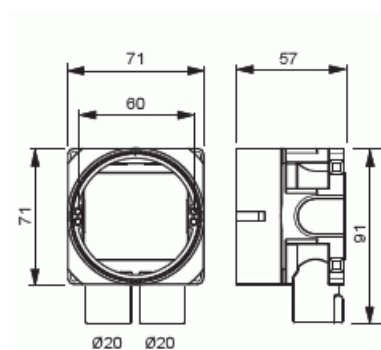
GTIN: 6418677334788



The mounting box has a rotating ring for adjusting the screw holes for device installation in optimal angle and screw distance is c/c 60mm. The green adapter ring, delivered with the box, is used in single-board walls (12-13 mm). The ring is removed when the wall thickness is two boards (24-26 mm). The box has two fixed inlets, one of them is open and both inlets are equipped with a locking device in metal for reliable connection between the conduits and the box. Both flexipipe and stiff conduits can be connected to the inlets and the inlets have 16/20 mm piping adapters. In addition, there are four knock outs on the sides and two in bottom for different inlets.

The box is also tested in firewalls EI60 (mounting instruction separately).

Manufactured from halogen free material (IEC/61249-2-21), the box complies with the IEC/EN60670:2005 glow wire test (850 °C).



Technical specification

Electrical quantities

Rated voltage: 400 V

Thermal conditions

Operating temperature: -25 ... 60 °C

Product Card

Mounting box, 12-13/24-26 mm board



Dimensions

For plastic pipe:	Ø16/20mm
-------------------	----------

Certifications

Approval:	SP SITAC 1002, SC0854-09
-----------	--------------------------

Packing

Package:	80
Unit:	PCS

ETIM Data

Mounting method:	Flush mounted (plaster)
Shape:	Round
Construction type:	Device connection box (round/square)
Model:	Single
Provided with revolving ring:	Yes
Connectable:	Yes
Equipped with:	None
Diameter:	71 mm
Length:	71 mm
Width:	71 mm
Depth:	71 mm
Inner depth:	54 mm
For number of electric fittings:	1
Mounting switching equipment:	Screwing
With screws:	Yes
Housing feed-through by break-out opening:	Yes
Housing feed-through by seal membrane:	No
Housing feed-through by nozzle:	Yes
Housing feed-through by step membrane:	No
For tube diameter:	16/20 mm
Pipe locking:	Yes

Product Card

Mounting box, 12-13/24-26 mm board



Pipe locking optional:	No
Inlet from the rear:	Yes
Number of inlets:	2
Number of included spouts:	2
Material:	Plastic
Halogen free:	Yes
Surface protection:	Untreated
Colour:	Blue
Degree of protection (IP):	IP3X
Cover model:	Construction protective cover
Transparent cover:	No
Cover attachment:	Snapped on
Sealable:	No
With screening:	No
Air tight:	No
Clamp position fixed:	No
Luminaire hook mounting:	No
Special application:	None