

Conduit cover

Conduit cover for 50mm pipe

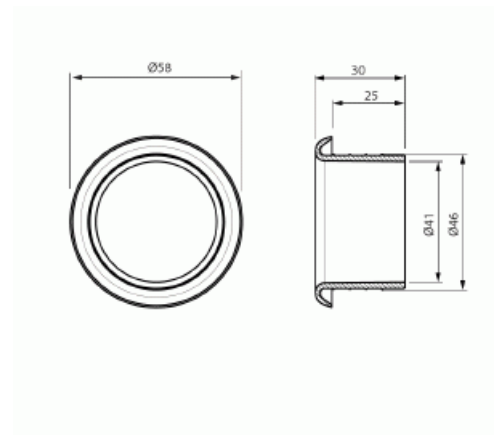
Type: ATI43

Product ID: 2TKA001730G1

GTIN: 6418677308307



Made of halogen free material (IEC/61249-2-21).



Technical specification

Packing

Package:	50/500
Unit:	PCS

ETIM Data

Material quality:	Polyvinyl chloride (PVC)
For nominal tube diameter:	50 mm
Air tight:	No
Colour:	White