
Claws

Claws for socket outlets and switches

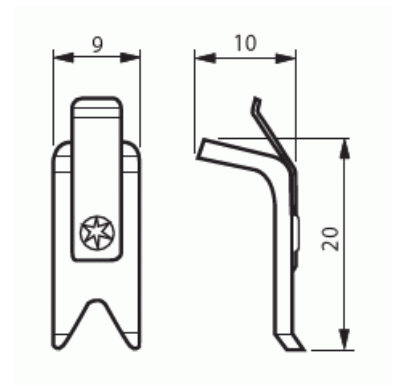
Type: ASE1

Product ID: 2TKA001721G1

GTIN: 6410021660932



Fastening claws for socket outlets and switches.



Technical specification

Packing

Package:	10/100/1000/28000
Unit:	PCS

ETIM Data

Type of accessory/spare part:	Extension claw
Accessory:	Yes
Spare part:	No