

Protective cover

Protective cover for AU60.1

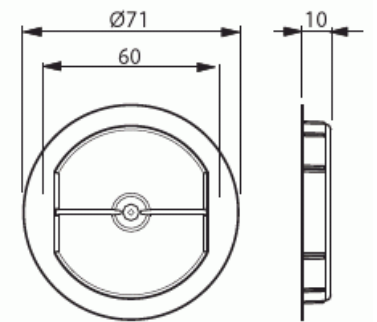
Type: AS60

Product ID: 2TKA001716G1

GTIN: 6418677332371



Made of halogen free material (IEC/61249-2-21).



Technical specification

Packing

Package:	100/1000
Unit:	PCS

ETIM Data

Diameter:	71 mm
For box-/housing diameter:	71 mm
Length:	71 mm
Width:	71 mm
Depth:	71 mm
Shape:	Round
Model:	Construction protective cover

Product Card

Protective cover for AU60.1



With cable outlet:	No
Halogen free:	Yes
With screws:	No
Sealable:	No