

Support

Box support, 12 mm

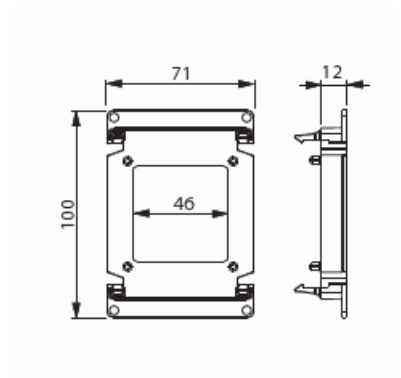
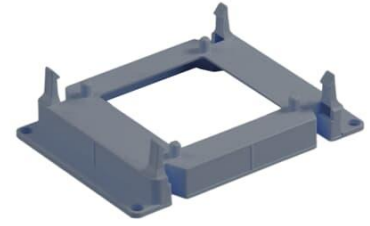
Type: AS27.12

Product ID: 2TKA001715G1

GTIN: 6418677332425



This stackable support has large gluing surfaces, each support being 25 mm high. Due to the support's modular design, it suits wall frame thickness of 70 / 95 / 120 mm etc. They can also be attached using screws. Made of halogen free material (IEC/61249-2-21).



Technical specification

Packing

Package:	50
Unit:	PCS

ETIM Data

Type of accessory/spare part:	Other
Accessory:	Yes
Spare part:	No
Suitable for built-in installation box:	Yes