

# Support

Box support, 25 mm

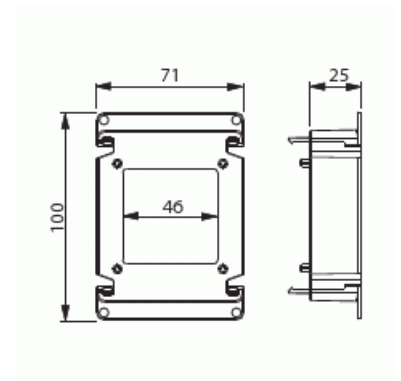
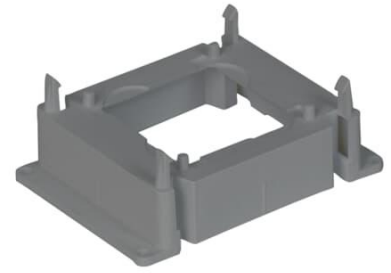
**Type:** AS27

**Product ID:** 2TKA001714G1

**GTIN:** 6418677329890



This stackable support has large gluing surfaces, each support being 25 mm high. Due to the support's modular design, it suits wall frame thickness of 70 / 95 / 120 mm etc. They can also be attached using screws. Made of halogen free material (IEC/61249-2-21).



## Technical specification

### Packing

Package:	50
Unit:	PCS

### ETIM Data

Type of accessory/spare part:	Other
Accessory:	Yes
Spare part:	No
Suitable for built-in installation box:	Yes