

Product Card

Truss fixture 12 mm, e.g. for single plaster board



Truss fixture

Truss fixture 12 mm, e.g. for single plaster board

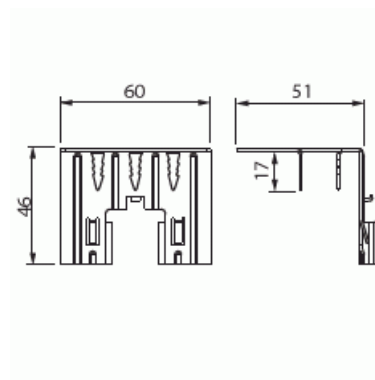
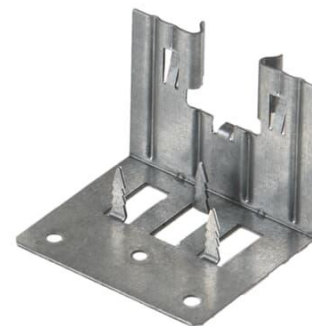
Type: AS26.12

Product ID: 2TKA001712G1

GTIN: 6418677335907



Truss fixture AS26.12 is used with the box AU5.6 in single and double board walls. With the boxes AU60 and AU 60.1 it is used in single board walls. The truss fixture includes nailing plate, which can also be attached using screws.



Technical specification

Packing

Package:	10/100
Unit:	PCS

ETIM Data

Type of accessory/spare part:	Other
Accessory:	Yes
Spare part:	No
Suitable for built-in installation box:	Yes