

Support

Support for AU8 junction box, 12-13 mm board

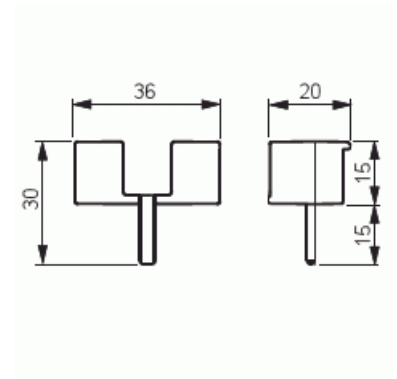
Type: AS13.12

Product ID: 2TKA001709G1

GTIN: 6418677334832



Support AS13.12 is used in wall installations with junction box AU8. By using the support, the open end of the box and the plate can be brought to the same level. Fits walls with 12 - 13 mm wall boards. Made of halogen free material (IEC/61249-2-21).



Technical specification

Packing

Package:	100/500
Unit:	PCS

ETIM Data

Type of accessory/spare part:	Other
Accessory:	Yes
Spare part:	No
Suitable for built-in installation box:	Yes
Suitable for central conduit box:	No