

Auxiliary luminaire plug

Lighting plug socket for AKK13J

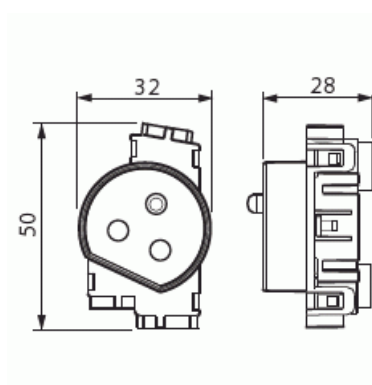
Type: AKL3

Product ID: 2TKA001680G1

GTIN: 6410011525326



Another lighting socket, AKL3, can be installed in the suspension tray, which facilitates the installation of an earthed chandelier light fitting.



Technical specification

Packing

Package:	5/100
Unit:	PCS

ETIM Data

With signal lamp:	No
Number of units:	1
Number of socket outlets switchable:	1
Number of phases:	1
Imprint/indication:	None
With hinged lid:	No
With enhanced contact protection:	No

Product Card

Lighting plug socket for AKK13J



Label space/information surface:	No
Colour:	White
RAL-number (similar):	9010
Metallic colour:	No
Transparent:	No
Lockable:	No
Eject-mechanism:	No
Insulated mounting:	No
With function lighting:	No
With orientation lighting:	No
Over voltage protection:	No
Fault current protection:	No
With miniature fuse:	No
Special power supply:	No special power supply
Material:	Plastic
Material quality:	Thermoplastic
Halogen free:	Yes
Surface protection:	Untreated
Surface finishing:	Matt
Anti-bacterial treatment:	No
With loop through function:	No
With on/off switch:	No
Rotated central insert:	No
Nominal current:	6 A
Nominal voltage:	250 V
Frequency:	50...60 Hz
Suitable for degree of protection (IP):	IP20
Impact strength:	IK00
Device width:	115 mm
Device height:	17 mm
Device depth:	115 mm
Min. depth of built-in installation box:	28 mm