

Product Card

Surface mounting ring for AKKJ13 / 20.1 / 1.1



Extension ring

Surface mounting ring for AKKJ13 / 20.1 / 1.1

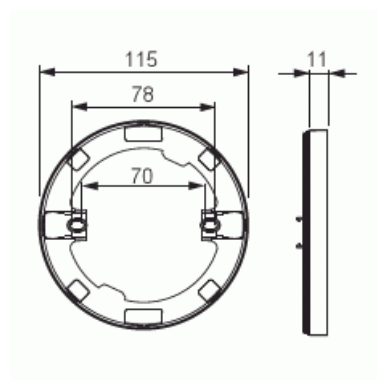
Type: AKL2

Product ID: 2TKA001679G1

GTIN: 6410011525302



The surface mounting of a light socket inlet is performed by means of the AKL2 extension ring, 11 mm in height. Surface mounting ring AKK13J, AK20 and AK1.1. Made of halogen free material (IEC/61249-2-21).



Technical specification

Packing

Package:	10/100
Unit:	PCS

ETIM Data

Levelling height:	11 mm
Length:	115 mm
Width:	115 mm
Diameter:	115 mm
Shape:	Round
With cover:	No
Mounting method:	Hollow wall

Product Card

Surface mounting ring for AKKJ13 / 20.1 / 1.1



Extension ring:

Yes