

Ceiling rose cover

Ceiling rose cover, bipolar, lighting plug socket, class 0, hook

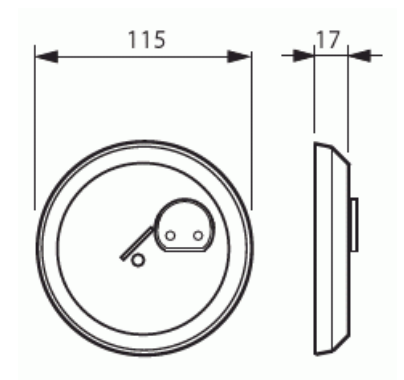
Type: AKK2

Product ID: 2TKA001671G1

GTIN: 6410011525104



Ceiling rose AKK2 is a bipolar, class 0 overhead plug socket cover. AKK2 plug socket cover can be mounted directly onto the ceiling or, in surface mounting, onto the junction box. The group cables 2,5 mm² (-o-), may be continued. Each ceiling rose can carry a max. 6 A 250 V lighting appliance up to the weight of 15 kilos. The hook in the ceiling rose is released when the cover is opened. Smallest compatible conductor size 1.5 mm².



Technical specification

Classification

Enclosure class:	IP20
------------------	------

Packing

Package:	5/50
Unit:	PCS

ETIM Data

With signal lamp:	No
Number of units:	1
Number of socket outlets switchable:	1

Product Card

Ceiling rose cover, bipolar, lighting plug socket, class 0, hook



Number of phases:	1
Imprint/indication:	None
With hinged lid:	No
With enhanced contact protection:	No
Label space/information surface:	No
Colour:	White
RAL-number (similar):	9010
Metallic colour:	No
Transparent:	No
Lockable:	No
Eject-mechanism:	No
Insulated mounting:	No
With function lighting:	No
With orientation lighting:	No
Over voltage protection:	No
Fault current protection:	No
With miniature fuse:	No
Special power supply:	No special power supply
Mounting method:	Surface mounted (plaster)
Type of fastening:	Mounting with screw
Material:	Plastic
Material quality:	Thermoplastic
Halogen free:	Yes
Surface protection:	Untreated
Surface finishing:	Matt
Anti-bacterial treatment:	No
With loop through function:	No
With on/off switch:	No
Rotated central insert:	No
Nominal current:	6 A
Nominal voltage:	250 V
Frequency:	50...60 Hz
Suitable for degree of protection (IP):	IP20

Product Card

Ceiling rose cover, bipolar, lighting plug socket, class 0, hook



Impact strength:	IK00
Device width:	115 mm
Device height:	25 mm
Device depth:	115 mm