

Ceiling box cover AL14

AL14 CELINGBOX COVER

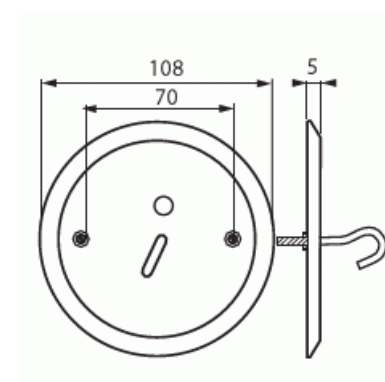
Type: AKI31

Product ID: 2TKA001658G1

GTIN: 6418677307720



Made of halogen free material (IEC/61249-2-21).



Technical specification

Packing

Package:	10/100
Unit:	PCS

ETIM Data

Diameter:	100 mm
For box-/housing diameter:	83 mm
Length:	100 mm
Width:	100 mm
Depth:	100 mm
Shape:	Round
Model:	Mounting cover

Product Card

AL14 CELINGBOX COVER



With cable outlet:	Yes
Halogen free:	Yes
Colour:	White
With screws:	Yes
Sealable:	No